

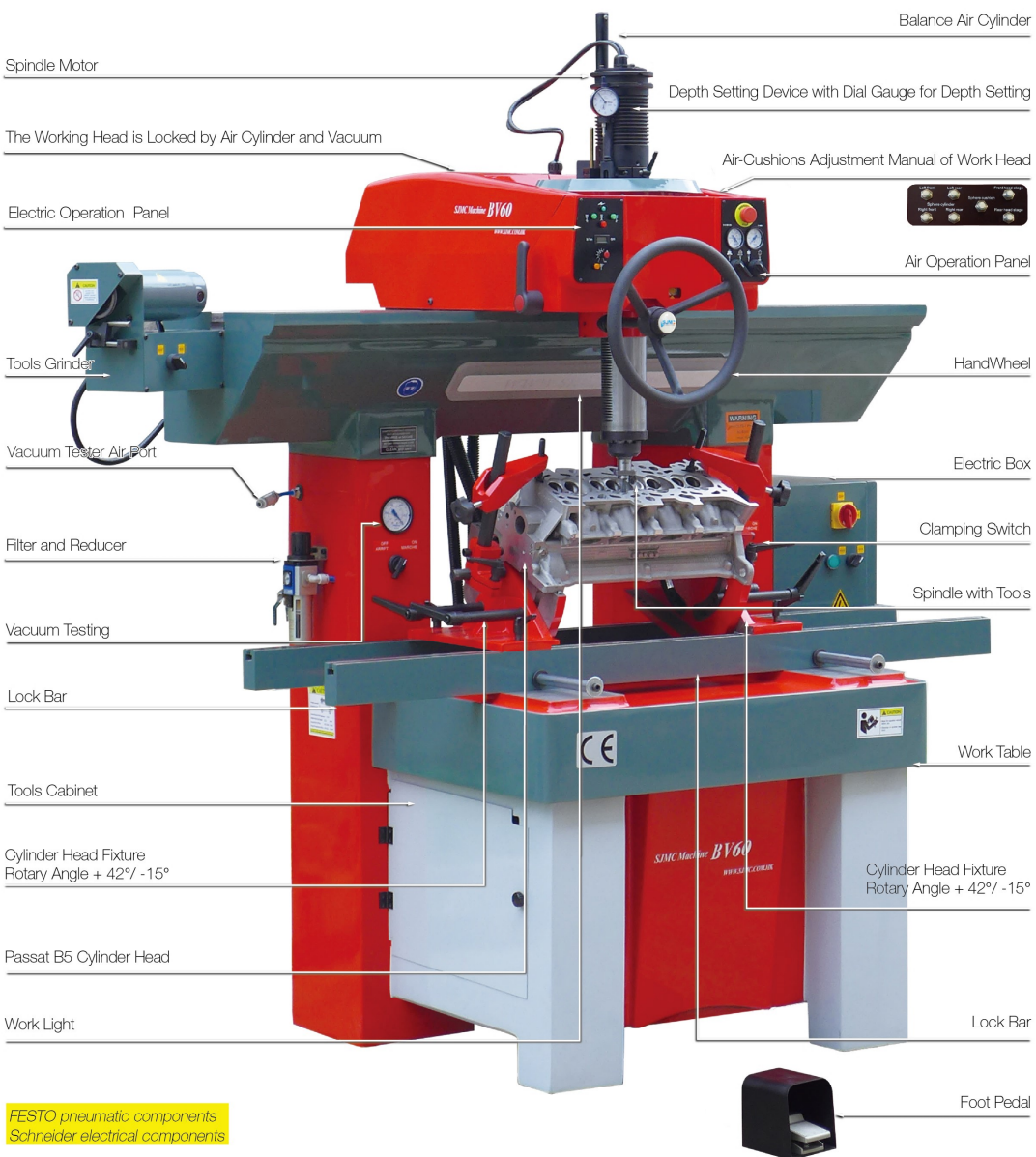
# Valve Seats Boring Machine

## Model: BV60



This product is TÜV SÜD - tested and has already gained CE certificate

Video Online



FESTO pneumatic components  
Schneider electrical components

Valve Seat Boring Machine Model: BV60 with high availability meets the requirements of boring, reaming and cutting machining for high accuracy valve guides and valve seats. Light boring head of patent-based design is equipped with triple air flotation device, self-centering system and spindle motor. Designed specially for repairing small-sized engine and compound-cylinder engine used on motorcycle and automobile. To reach the requirements of high precision machining for valve guides with a small diameter of 4mm.

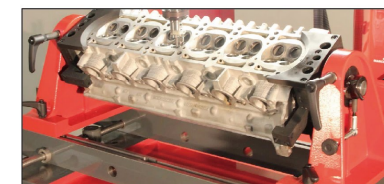
### Specifications

Model	BV60
Type of Drive System	Air / Electric
Max. Length of Cylinder Head	unlimited
Max. Width of Cylinder Head	500 mm
Max. Height of Cylinder Head	450 mm
Max. Boring Dia.	16 – 60 mm
Work Head Longitudinal Floating Travel	930 mm
Work Head Cross Floating Travel	40 mm
Sphere – Cylinder Travel	10 mm
Floating inclination angle of Spindle	±3°
Vertical Travel of Spindle	200 mm
Power of Spindle	1.2 kW Servo Motor
Max. Torque of Spindle Motor	18 Nm
Spindle Speed	50 – 1000 rpm stepless
Power of Tools Grinder	0.3 kW
Tools Grinder Rotation Speed	2800 rpm
Clamper Rotary Angle	+ 42°/ -15°
Required Rated Air Pressure	6 Bar / 85 PSI
Required Max. Air Flow	300 L / Min
Required Continuous Air Flow	60 L / Min
Length of Machine	1450 mm
Width of Machine	1050 mm
Max. Height of Machine	2180 mm
Min. Height of Machine	1980 mm
Roughness of Finishing	Ra 0.6
Package Size ( LxDxH )	1620x1040x2200 mm
N.W. / G.W.	1000 Kg / 1200 Kg

\* All technical data and photos are subject to change due to designing without notice.

#### Optional 360° Roll Over Fixture

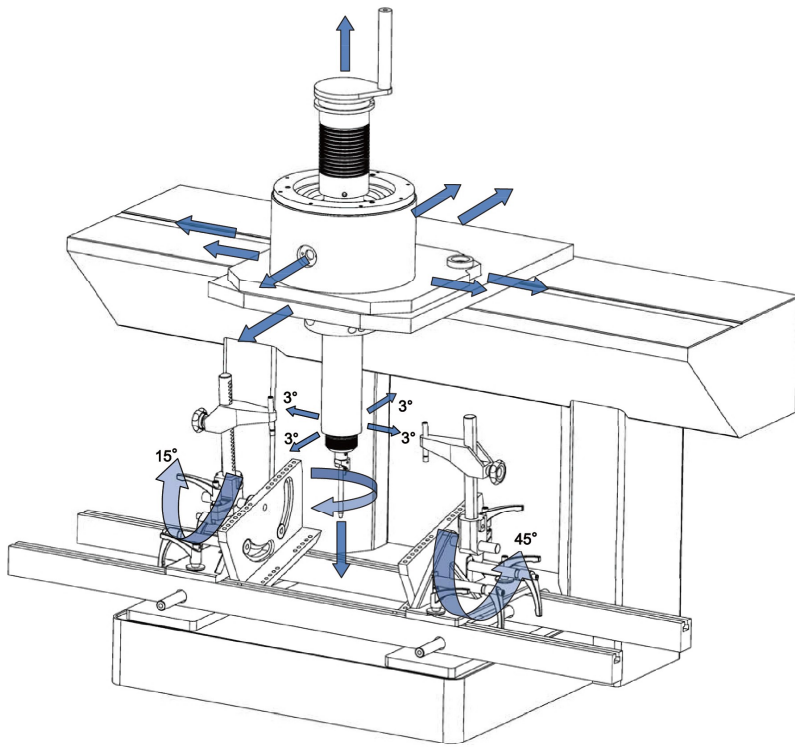
This feature allows a quick and easy mounting of the cylinder head while keeping a powerful clamping thanks to two jaws. It makes easier operations which require the access to different sides of the head. Guide levelling is made with the fine feed setting.



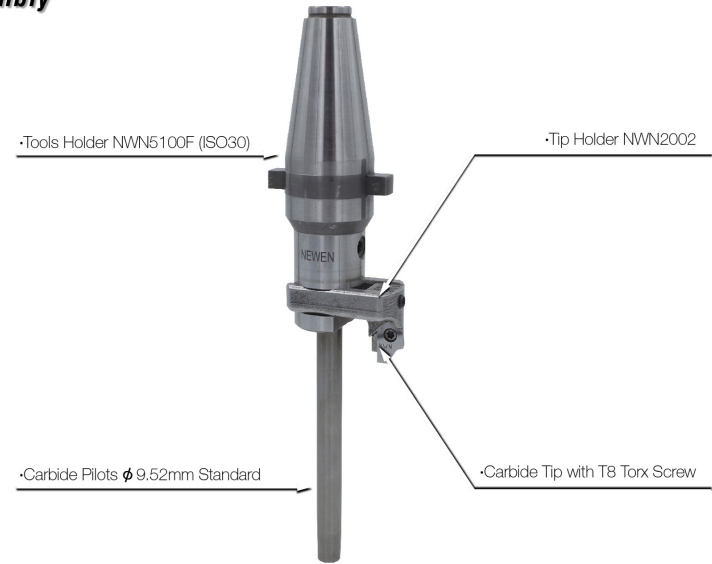
### Features

1. With distinctive characteristics of this new type machines that can save 30% cutting force during machining process. Ensure the angle accuracy of compound angle tool within a range of  $\pm 0.5$  degree
2. Machining Capacity: 16 mm / 0.6" - 60 mm / 2.36"
3. Modernized design of standard machine body to agree with the improved rigidity. Dynamic and static features are optimized by computer to provide the most advanced machining process.
4. Improved lighting system
5. Pneumatic clamping of table bars
6. Fully integrated spindle motor: Infinitely variable speed 100 – 1200 rpm, with sensorless Vector Flux Control in open loop. Extremely broad torque ratings from lowest RPM with constant torque spindle rotation. Digital RPM read-out for accurate speed setting.
7. Lightweight workhead: built-in spindle motor and triple air-float automatic centering system. Minimal workhead inertia and maximal floatation for unmatched centering sensitivity.
8. High-quality three color saturation painting.

### Air Floating Diagram



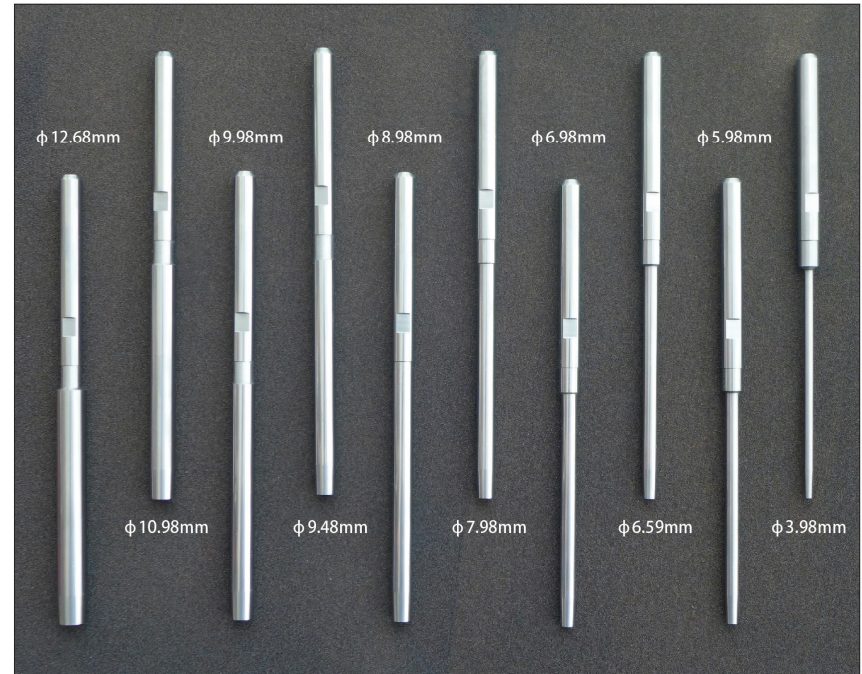
### Tools Assembly



### Accessories

- 1 Carbide Pilots  $\phi 9.52$  Standard

Please refer to the appendix of pilots page No.76~77



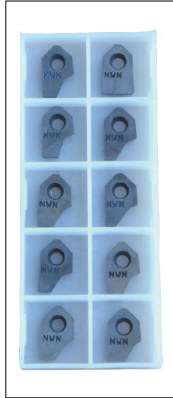
\* The BV60 is equipped 10 pieces of Carbide Pilots as standard Acc. You can free to choose any size.

2 Tools Holder ISO30



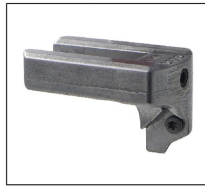
NWN5100F Fits Tip Holders NWN2000 , NWN2001 , NWN2002

3 Carbide Tip



Please Refer to the Appendix of Carbide Tips Page No.52-75

4 Tip Holder



Diameter Range: 40-60 mm



Diameter Range: 18-30 mm



Diameter Range: 28-42 mm

13 T8x60 Torx Driver



14 9 Pcs Long Arm Ball Point Hex Key Set



15 Precision Counterboring Setting Micrometer



16 Tools Grinder



17 Portable Vacuum Detector



Table of Standard Acc. and Optional Acc.

Standard	1, 2, 3, 4, 5, 6, 7, 8, 13, 14, 16
Optional	9, 10, 11, 12, 15, 17

\* Special size of Carbide Pilots and Carbide Tip, please contact with our sales staff

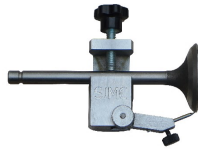
5 Dial Gauge



6 Vertical Level for Valve Seat



7 Tools Setting Device



8 Vacuum Pad



9 Leveling Instrument



10 Special Level for Valve Seat



11 Adaptor for morse #2 to Taper ISO30



12 Pneumatic Vacuum Cleaner



Required Space

